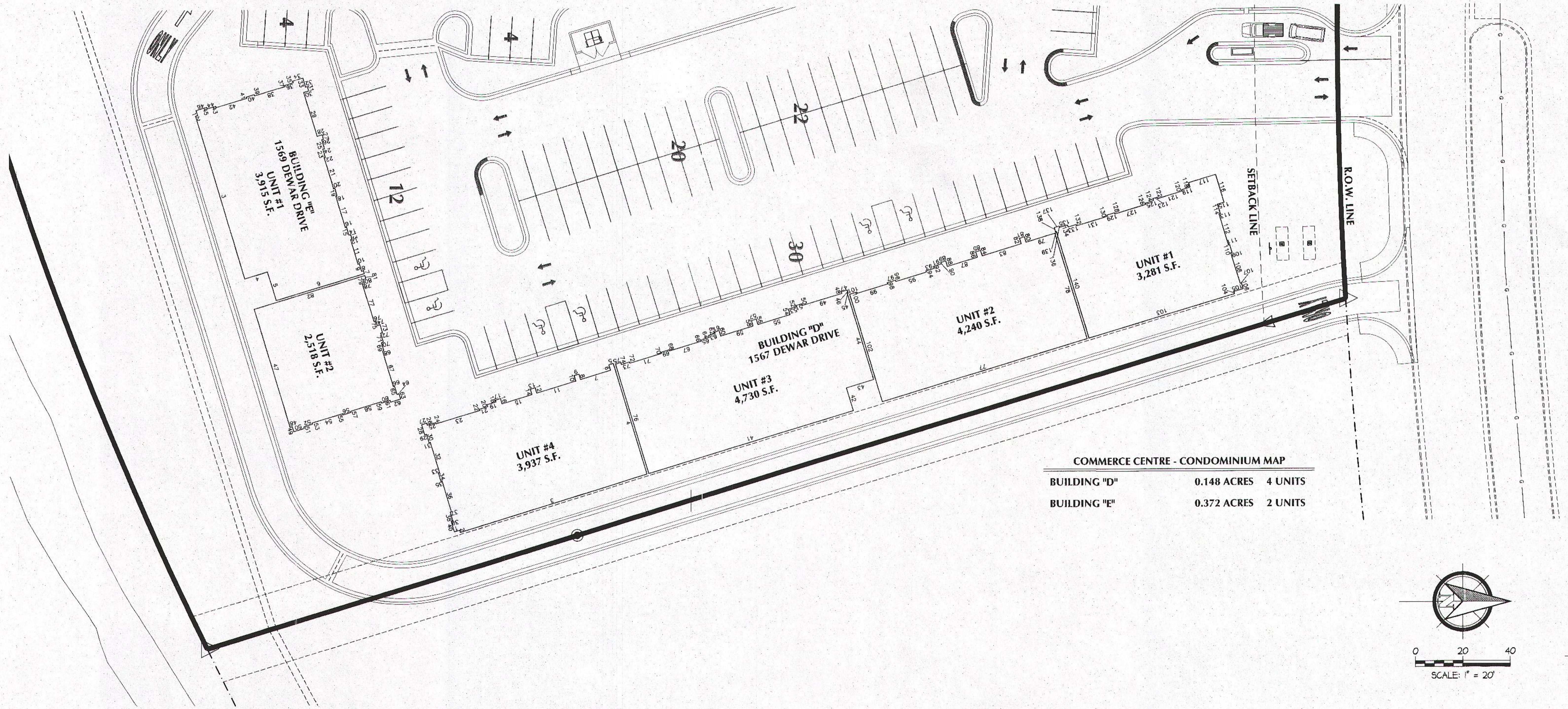
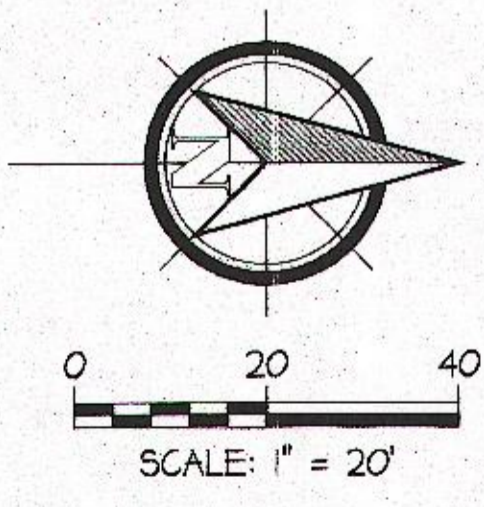


# CONDOMINIUM MAP - BUILDINGS "D" AND "E"

A PARCEL LOCATED IN THE NE1/4 OF THE NW1/4 OF SECTION 3,  
T. 18 N., R.105 W., OF THE SIXTH PRINCIPAL MERIDIAN,  
ROCK SPRINGS, SWEETWATER COUNTY, WYOMING



COMMERCE CENTRE - CONDOMINIUM MAP		
BUILDING "D"	0.148 ACRES	4 UNITS
BUILDING "E"	0.372 ACRES	2 UNITS



CHOICE ENGINEERING SERVICES

404 "N" Street - Suite 201 | Rock Springs, WY 82901  
Phone 307-362-6065 | Fax 307-362-6064

DATE OF PREPARATION: 08/26/09

RECORDED 5/23/2009 AT 04:55 PM REC# 1567141 S&E 0826 FOR 8808  
STEVEN DALE DAVIS, CLERK OF SWEETWATER COUNTY, WY Page 5 of 9